

Type: DA13-NA31/Mxxx

PT100 TEMPERATURE



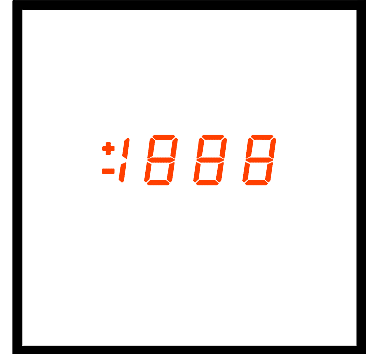
DA13-NA31/MxxR
case 96 x 24 mm



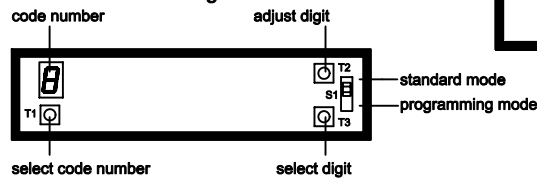
DA13-NA31/MxxG - 4
case 96 x 48 mm



DA13-NA31/MxxR - 9
case 96 x 96 mm



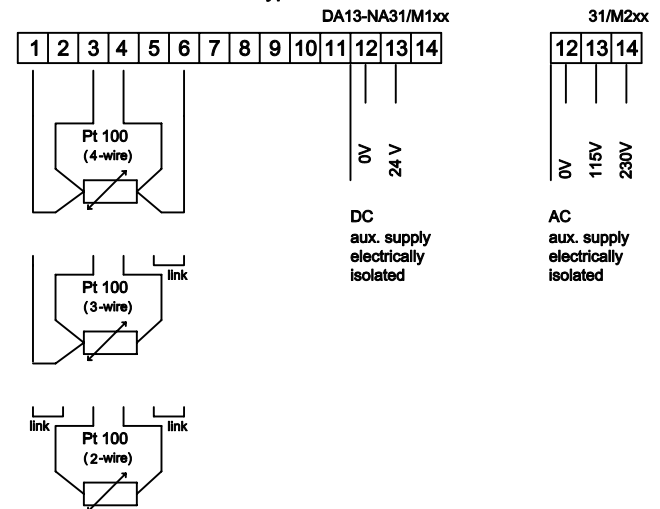
controls behind front glass



programming mode

code number	display	description
0	--- 1	PT100 0 .. 199,9 °C / -32 .. 392 °F
	--- 2	PT100 0 .. 800 °C / -32 .. 1472 °F
	□ C	PT100 °Celsius
	□ F	PT100 °Fahrenheit
1	-----	zero adjustment PT100 2-/3-wire
	----- 0	brightness adjustment (0 ... 9) 0 = highest brightness 9 = lowest brightness
	1	carry out zero adjustment
	0	delete zero adjustment
2	-----	zero adjustment take over with T3

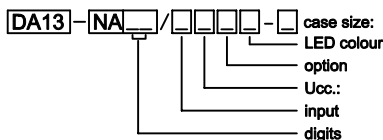
rear connector with screw-type terminals



general data

aux. supply:	DA13-NAxx/M1xx	18-35 V DC
	DA13-NAxx/M2xx	115/230 V AC
power consumption:	max. 3 VA	
measuring range:	PT100	-100,0 to 199,9 °C
		-200 to 800 °C
		-148 to 392 °F
		-328 to 1472 °F
conversion rate:	approx. 1 per second	
principle of measurement:	Dual-Slope-Integration	
error of measurement:	+/- 0,1% of measuring value	
	+/- 1 digit/segment	
resolution:	+/- 1 K	(PT100 200 °C: +/- 0,1 °K)

overflow:	lighting-up of middle segments
display height:	14 mm
mount.depth (without connector):	114 mm (102 mm)
panel cutout:	DA13-NA31/Mbox : 92(+0,8) x 22,2(+0,3) mm
	DA13-NA31/Mbox -4 : 92(+0,8) x 45(+0,6) mm
	DA13-NA31/Mbox -9 : 92(+0,8) x 92(+0,8) mm
bezel height:	7,5 mm
controls behind front glass	



without indication:	= 96 x 24 mm	4 = 96 x 48 mm	9 = 96 x 96 mm
R = red	G = green		
look chapter end of datasheet			
1 = 24 V DC	2 = 115/230VAC		
M = PT100 temperature			
31 = 3-1/2 digits			

GS Gebhardt & Schäfer Industrie-Elektronik GmbH

Porschstrasse 11
D-51381 Leverkusen
Tel. +49 (0) 21 71 / 73 72 2 -0
Fax +49 (0) 21 71 / 73 72 2 -39
Internet: <http://www.GS-GmbH.de>
E-Mail: info@GS-GmbH.de

Kölner Bank eG
IBAN: DE62 3716 0087 0940 9250 10
BIC: GENODED1CGN
Kreissparkasse Köln
IBAN: DE65 3705 0299 0312 0061 45
BIC: COKSDE33

Deutsche Bank AG
IBAN: DE30 3757 0024 0851 0851 00
BIC: DEUTDE33
Foreign Payments:
Account-No. 851 085 1
S.W.I.F.T. DEUTDE33 375

Geschäftsführer:
Karlheinz Schäfer
Guido Gebhardt
USt.-Nr. DE 123713297
Amtsgericht Köln, HRB 48860
D-U-N-S@: 340802073